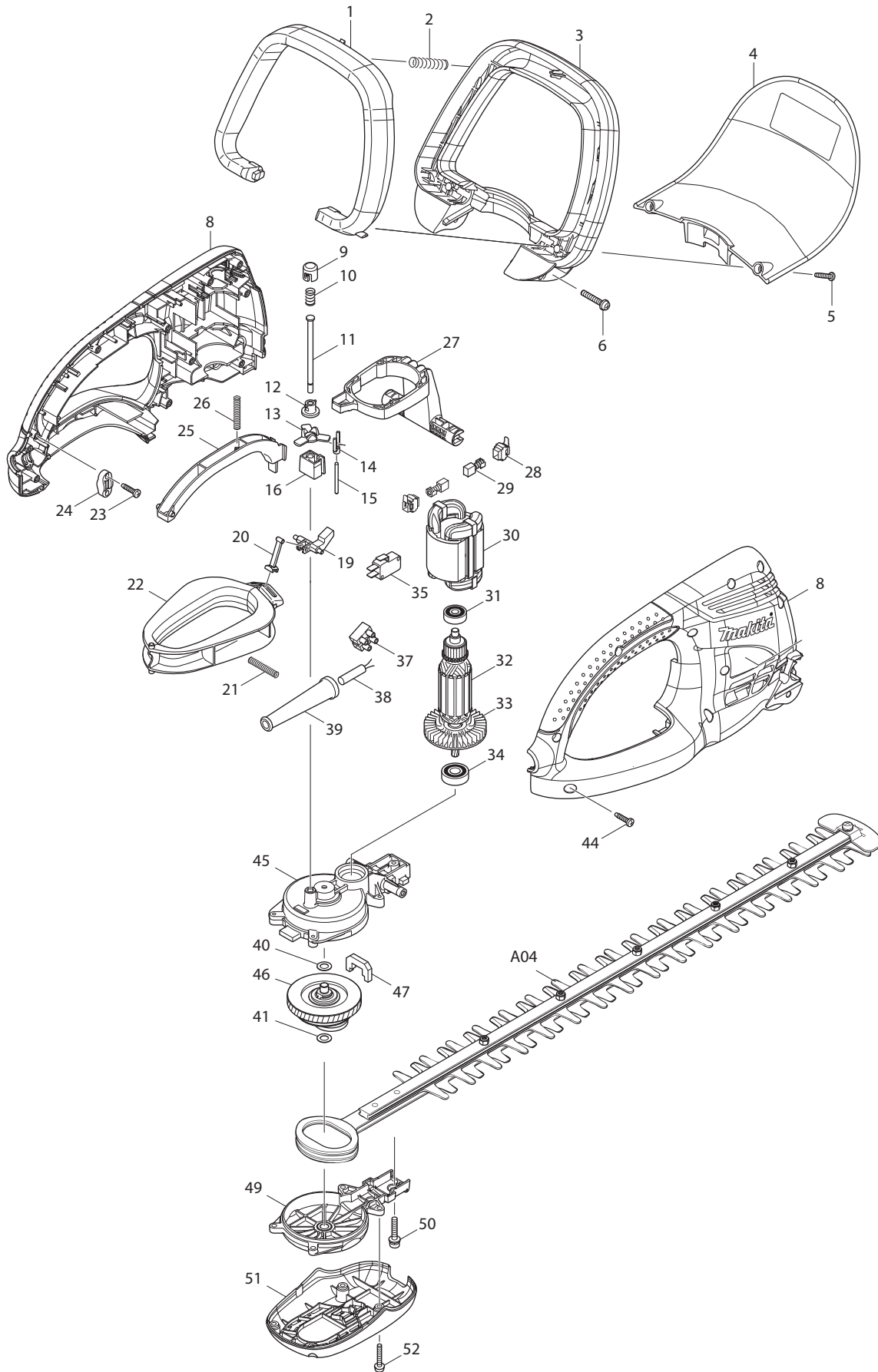




01 - 2009

UH5570

21-5/8" HEDGE TRIMMER



| Item No | Type | Sub | Part No | Description | Qty | Unit |
|---------|------|------|----------|---|-----|------|
| 001 | | | 450444-8 | SWITCH LEVER B | 1 | PC. |
| 002 | | | 233157-4 | COMPRESSION SPRING 9 | 1 | PC. |
| 003 | | | 450442-2 | FRONT GRIP | 1 | PC. |
| 004 | | | 158912-2 | PROTECTOR COMPLETE | 1 | PC. |
| 005 | | | 265995-6 | TAPPING SCREW 4X18 | 2 | PC. |
| 006 | | | 911253-5 | PAN HEAD SCREW M5X30 | 2 | PC. |
| 008 | | | 188567-9 | HOUSING SET | 1 | SET |
| 009 | | | 417740-7 | INSULATION CAP | 1 | PC. |
| 010 | | | 233288-9 | COMPRESSION SPRING 8 | 1 | PC. |
| 011 | | | 268077-3 | PIN 5 | 1 | PC. |
| 012 | | | 417727-9 | CAP HOLDER | 1 | PC. |
| 013 | | | 417736-8 | LIFTER | 1 | PC. |
| 014 | | | 417735-0 | PUSHER CAP | 1 | PC. |
| 015 | | | 268237-7 | ROD 3 | 1 | PC. |
| 016 | | | 417781-3 | PIN HOLDER | 1 | PC. |
| 019 | | | 417737-6 | LINK | 1 | PC. |
| 020 | | | 417739-2 | ROD | 1 | PC. |
| 021 | | | 233156-6 | COMPRESSION SPRING 5 | 1 | PC. |
| 022 | | | 417731-8 | SWITCH LEVER C | 1 | PC. |
| 023 | | | 265995-6 | TAPPING SCREW 4X18 | 2 | PC. |
| 024 | | | 687063-9 | CORD CLAMP (STRAIN RELIEF) | 1 | PC. |
| 025 | | | 450443-0 | SWITCH LEVER A | 1 | PC. |
| 026 | | | 233156-6 | COMPRESSION SPRING 5 | 1 | PC. |
| 027 | | | 450488-8 | LEVER | 1 | PC. |
| 028 | | | 643935-8 | BRUSH HOLDER | 2 | PC. |
| 029 | 2 | | 195007-0 | CARBON BRUSH CB-407 2PC/SET, W/O ORIGIN | 1 | SET |
| 030 | | | 621731-4 | FIELD 115V | 1 | PC. |
| 031 | | | 211027-7 | BALL BEARING 62ZZ | 1 | PC. |
| 032 | | | 515736-3 | ARMATURE ASSEMBLY 115V | 1 | PC. |
| | | INC. | | Item No. 31, 33, 34 | 1 | PC. |
| 033 | | | 241850-6 | FAN 60 | 1 | PC. |
| 034 | | | 211062-5 | BALL BEARING 6000ZZ | 1 | PC. |
| 035 | 2 | | 650628-0 | SWITCH (OLD# 650608-6 - N/L/A) | 1 | PC. |
| 037 | | | 654531-7 | TERMINAL BLOCK 2P | 1 | PC. |
| 038 | | | 660293-7 | CORD W/PLUG 2P-18-0.475M, SJTW | 1 | PC. |
| 039 | | | 682503-2 | CORD GUARD 8-90 | 1 | PC. |
| 040 | | | 253215-0 | FLAT WASHER 8 | 1 | PC. |
| 041 | | | 253215-0 | FLAT WASHER 8 | 1 | PC. |
| 043 | | | 865765-9 | NAME PLATE F/UH5570 | 1 | PC. |
| 044 | | | 265995-6 | TAPPING SCREW 4X18 | 10 | PC. |
| 045 | | | 158625-5 | GEAR HOUSING COMPLETE | 1 | PC. |
| 046 | | | 158624-7 | GEAR COMPLETE | 1 | PC. |
| 047 | | | 443142-1 | DUST GUARD | 1 | PC. |
| 049 | | | 158626-3 | GEAR HOUSING COVER COMPLETE | 1 | PC. |
| 050 | | | 265182-7 | + PAN HEAD SCREW M5X25 | 2 | PC. |
| 051 | | | 450441-4 | UNDER COVER | 1 | PC. |
| 052 | | | 911148-2 | PAN HEAD SCREW M4X25 | 4 | PC. |
| 100 | | | 654069-2 | RECEPTACLE | 2 | PC. |
| 101 | | | 654163-0 | INSULATED RECEPTACLE 1.25-250A | 2 | PC. |
| 102 | | | 654207-6 | RECEPTACLE | 1 | PC. |
| 103 | 1 | | 158932-6 | WARNING CARD COMPLETE | 1 | PC. |
| | 2 | | 144843-1 | WARNING CARD COMPLETE | 1 | PC. |

| Item No | Type | Sub | Part No | Description | Qty | Unit |
|---------------------------|------|-----|----------|---|-----|------|
| <u>ACCESSORIES</u> | | | | - see catalogue or visit www.makita.ca for more accessories information - | | |
| A01 | | | 194677-2 | CORD HOLDER COMPLETE SET | 1 | SET |
| A02 | | | 158024-1 | HOOK COMPLETE | 1 | PC. |
| A03 | | | 450490-1 | BLADE COVER (0.828M) | 1 | PC. |
| A04 | | | 194665-9 | SHEAR BLADE ASSEMBLY SET | 1 | SET |
| | INC. | | 264013-7 | HEX. LOCK NUT M5-8 | 6 | PC. |
| | INC. | | 345205-8 | BRUNCH CATCHER | 1 | PC. |
| | INC. | | 911208-0 | PAN HEAD SCREW M5X10 | 1 | PC. |
| | INC. | | 257766-5 | SLEEVE 5 | 8 | PC. |
| | INC. | | 265181-9 | +TRUSS HEAD SCREW M5X20 | 6 | PC. |
| | INC. | | 188605-7 | OIL VESSEL(3G, GREASE NA NO.2) | 1 | PC. |
| A05 | | | 194679-8 | ARM BAND COMPLETE SET | 1 | SET |
| A06 | | | 194681-1 | CHIP RECEIVER ASSEMBLY SET | 1 | SET |